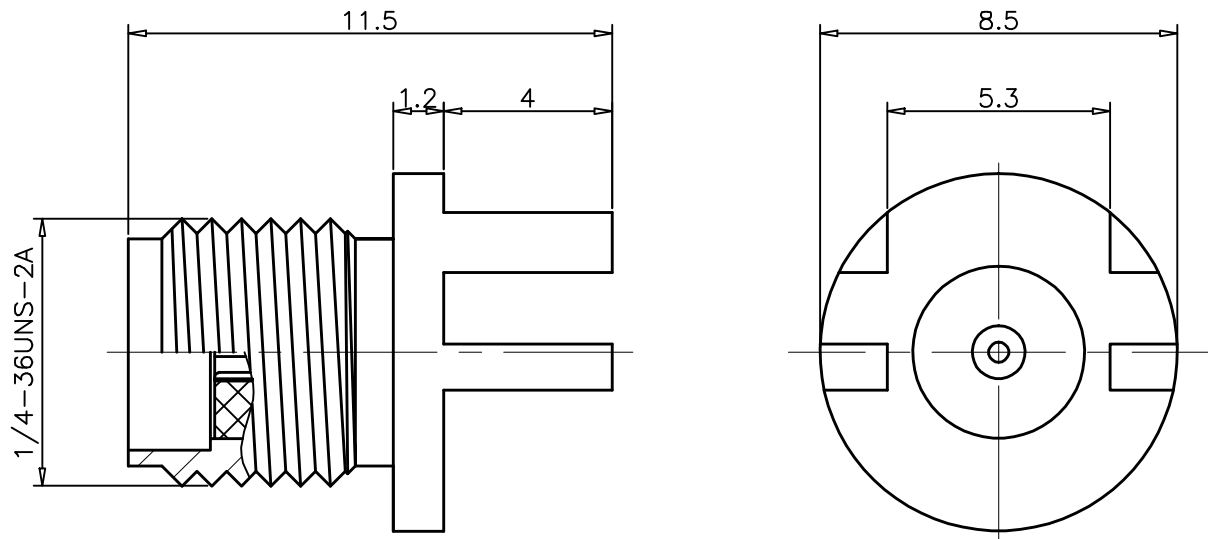


1	2	3	4	
RevNo	Revision note	Date	Signature	Checked
00	Sketch Only	6/16/14	Teresa	Simon



Interface Per: Interface Per: MIL-STD-348, IEC 60169-15
 Material & Finishing:
 1. Center conductor: Beryllium Copper, Gold Plating
 2. Insulators: PTFE
 3. Body : Brass, Gold Plating

ALL DIMENSIONS ARE IN MILLIMETERS AND [INCHES]		Title	
KERUI ELECTRONIC CO;LTD		SMA female PCB mounted receptacle	
THESE DRAWING & SPEC. ARE THE PROPERTY OF KERUI ELECTRONIC CO;LTD AND SHALL NOT BE REPRODUCED, OR COPIED OR USED AS THE BASIS FOR THE MANUFACTURE OR SALE OF APPARATUS OR DEVICES WITHOUT THEIR EXPRESS WRITTEN CONSENT.	UNLESS OTHERWISE NOTED ALL SURFACES FINISHED TO 64/MAX. ALL TOLERANCES ARE: DECIMALS FRACTIONS ANGLES x ± 1.0 ±1/64 x' ± 1' x.x ± 0.5 x'x' ± 0.5° x.xx ± 0.1	Drawn by Teresa	Ckd by Simon
		Appd by Richard	Date 6/16/2014
Scale 4:1		Sheet 1 of 1	10 1121 031 02